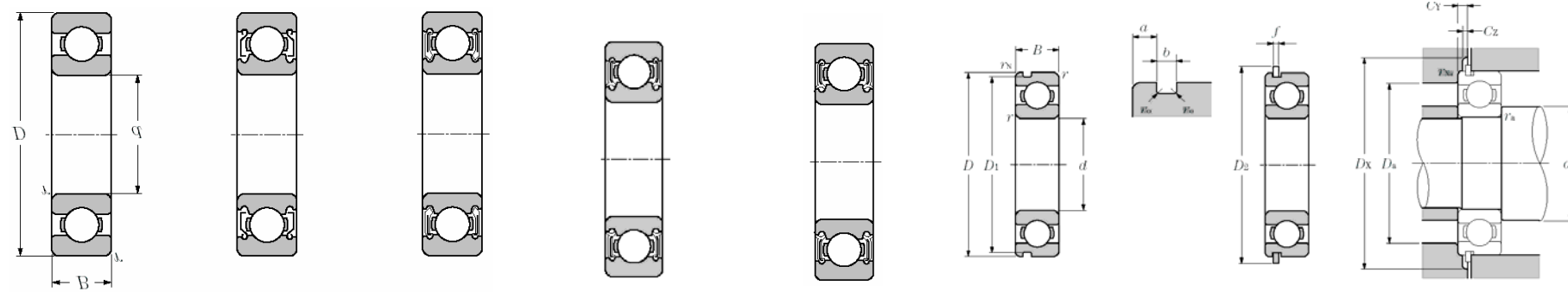


Single-row Deep Groove Ball Bearings



Open type Shielded type (ZZ) Non-contact sealed type (LLB) Low torque sealed type (LLH) Contact sealed type (LLU) With snap ring groove and snap ring (N, NR)

Equivalent bearing load dynamic
 $P_r = X F_r + Y F_a$

$\frac{F_a}{C_{or}}$	e	$\frac{F_a}{F_r} \leq e$		$\frac{F_a}{F_r} > e$	
		X	Y	X	Y
0.010	0.18				2.46
0.020	0.20				2.14
0.040	0.24				1.83
0.070	0.27				1.61
0.10	0.29				1.48
0.15	0.32	1	0	0.56	1.35
0.20	0.35				1.25
0.30	0.38				1.13
0.40	0.41				1.05
0.50	0.44				1.00

static
 $P_{or} = 0.6 F_r + 0.5 F_a$
 When $P_{or} < F_r$ use $P_{or} = F_r$

Special dimensions of bearings

Boundary Dimensions(mm)					Basic Load Ratings (N)		Limiting Speeds (rpm)		Bearing numbers			Abutment and Fillet Dimensions (mm)			Mass (kg)
d	B _i	D	B _o	r _{s min}	dynamic C _r	static C _{or}	Grease	Oil	Open	Non Contact Seal LLB Shield ZZ	Contact Seal LLU	d _a (mm)	D _a (mm)	r _{as} (mm)	Open Type (Approx.)
7	6	18	6	0.2	2240	910	34000	40000	—	SC727ZZ	—	9	17	0.2	0.007
8	6	18	6	0.2	2240	910	34000	40000	—	SC8A96ZZ*	—	9	17	0.2	0.006
9.525	7.142	22.225	7.142	0.41	3300	1400	31000	37000	—	R6ZZ	R6LLU	12.5	20.2	0.4	0.014
9.525	5.557	22.225	5.557	0.41	3300	1400	31000	37000	EE3	—	—	12.5	20.2	0.4	0.009
10	8	26	8	0.3	4590	1980	29000	34000	—	SC0039ZZ	—	12	24	0.3	0.018
10	8	30	8	0.6	5100	2390	25000	30000	SC00T50	—	—	14	26	0.6	0.029
11.087	9	30	9	0.6	5100	2390	18000	30000	—	—	SC0117LLU	14	26	0.6	0.029
12.7	6.35	28.575	6.35	0.41	5100	2390	25000	29000	EE4	—	—	14.5	25.5	0.3	0.017
12.7	7.938	28.575	7.938	0.41	5100	2390	25000	29000	R8U	R8ZZ	R8LLU	14.5	25.5	0.3	0.022
14	7	26	7	0.3	3430	1795	26000	31000	—	SC02T01LLB	—	16	24	0.3	0.013
15	11.5	42	11.5	0.6	11400	5450	17000	21000	SC0284	—	—	20	37	0.6	0.074
15	13	35	13	0.6	7760	3610	19000	23000	—	—	SC02A51LLU	19	31	0.6	0.049
15.875	11	34.925	11	0.6	7750	3600	15000	23000	—	SC0217ZZ	SC0217LLU	19	31	0.6	0.045
15.875	11.112	34.925	11.112	0.6	7750	3600	15000	23000	—	SC0228LLB	SC0228LLU	19	31	0.6	0.045
15.875	11	34.925	11	0.6	7750	3600	15000	23000	99502	99502HV	99502H	19	31	0.6	0.044
15.875	11	34.925	11	0.6	7750	3600	15000	23000	—	—	SC02A47LLU	19	31	0.6	0.039
17	13	42	13	0.6	11400	5200	18000	21000	SC03A39	—	—	21	36	0.6	0.080
17	14	46	14	0.6	13500	6550	11000	19000	—	—	SC03T52LLU	22	42	0.6	0.115
17	16	52	16	1.0	16000	7940	11000	19000	—	—	SC03T50LLU	22	47	1.0	0.166
19.05	15.494	45.225	15.494	1.0	13500	6550	16000	19000	SC04B09	—	—	22	42	1.0	0.099
19.06	15.494	45.224	15.494	1.0	12800	6550	16000	19000	—	—	SC0440LLU	25	39	1.0	0.108
20	12	47	12	1.0	12800	6650	16000	18000	SC04A31	—	—	25	42	1.0	0.068
20	12	47	12	1.0	10100	5750	14000	17000	SC04A34	—	—	25	47	0.6	0.079
20	12	52	12	1.0	10100	5750	14000	17000	SC04A47	—	—	25	47	0.6	0.116
20	12	52	12	1.0	12800	6650	16000	18000	SC04A50	—	—	26	44	1.0	0.105
22	15	56	15	1.1	20700	10400	13000	15000	SC04A86	—	—	29	49	1.1	0.166
22	15	56	15	1.5	20700	10400	13000	15000	SC632201	—	—	28.5	49.5	1.5	0.166
25	13	52	13	1.0	14000	7850	13000	15000	SC05T52*	—	—	30	51	0.6	—
25	15	52	15	1.0	14000	7850	13000	15000	SC05T51	—	—	30	51	0.6	0.128
25	12	56	12	0.6	14000	7850	13000	15000	SC05A97	—	—	30	51	0.6	0.125
25	12	62	12	0.6	16700	9600	12000	14000	SC0563*	—	—	30	55	0.6	—
35	14	72	14	1.0	25700	15300	9800	11000	SC07B37	—	—	41.5	65.5	1.0	0.241
6	6.6	19	6	0.3	2340	885	34000	40000	—	SX6A54ZZ	—	8	17	0.3	0.010
12	10.8	32	10	0.6	6100	2750	22000	26000	SX01A36	—	—	16	28	0.6	0.037
12	16	32	10	0.6	6100	2750	22000	26000	SX01T50	—	—	16	28	0.6	0.037
27	8	47	12	0.3	10100	5850	15000	18000	SX05A81*	—	—	29	43	0.3	—
30	12	55	11.6	—	13200	8300	13000	15000	—	SX0647ZZ	—	35	50	1.0	0.116